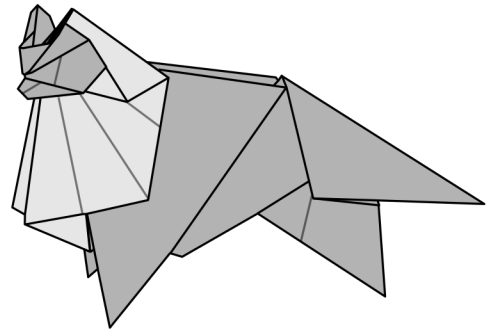
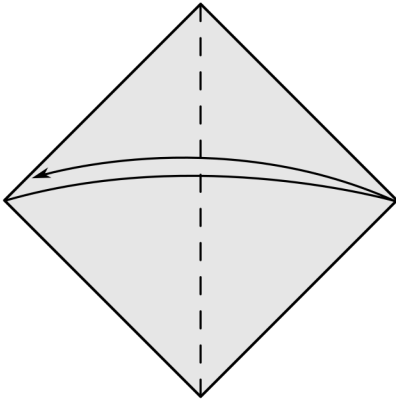


Lion

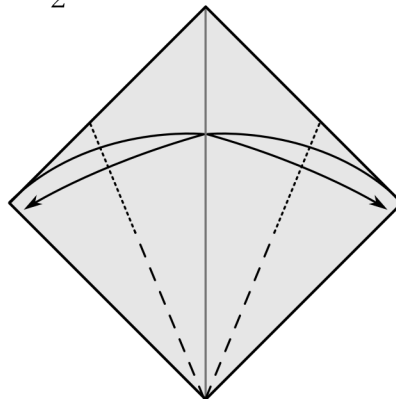
Arun Soor 2017



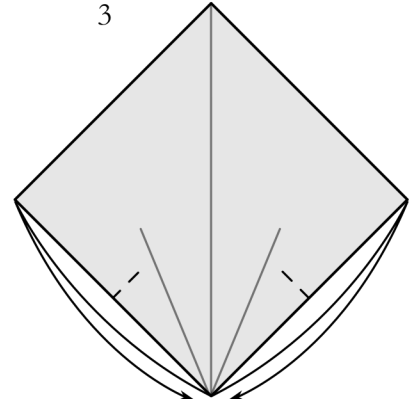
1



2



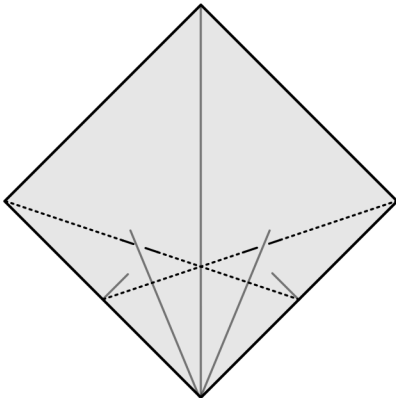
3



Crease only as far as shown.

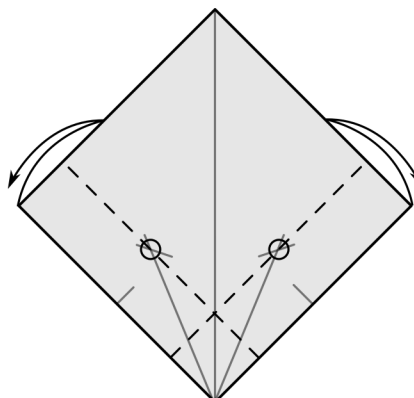
Pinch only.

4

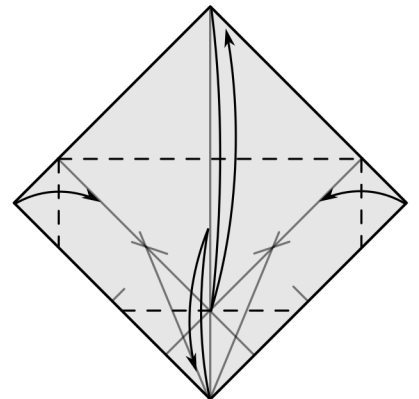


Pinch at the intersection.

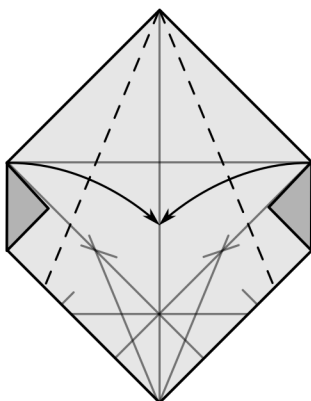
5



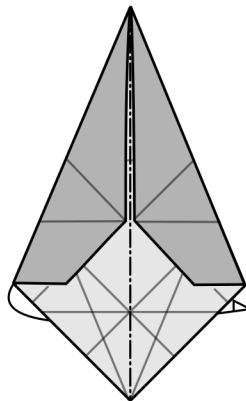
6



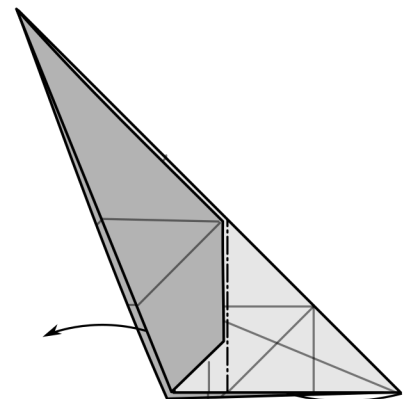
7



8

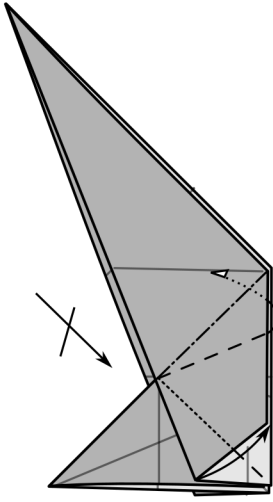


9



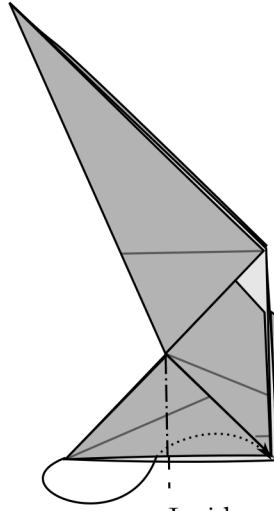
Inside reverse fold.

10



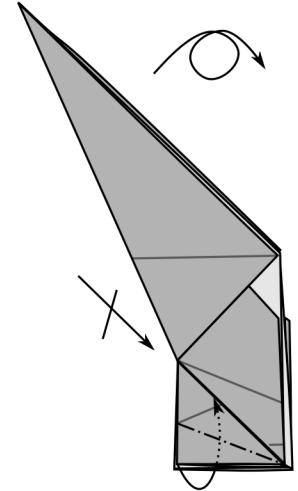
Swivel fold.

11



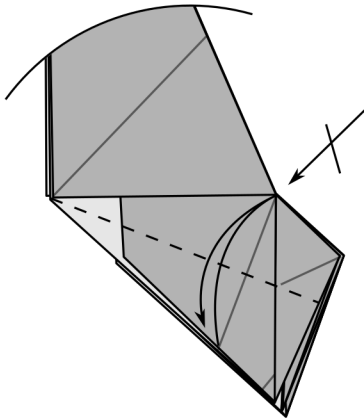
Inside reverse fold.

12



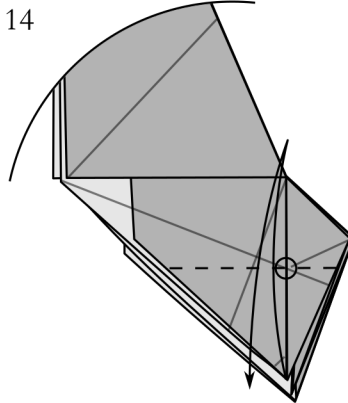
Inside reverse fold.

13



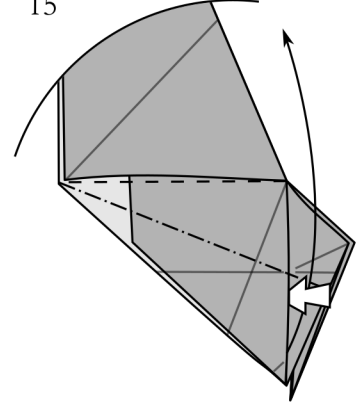
Fold the flap and unfold.

14



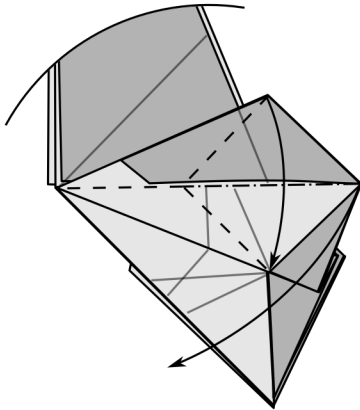
Crease the flap at the circled point.

15



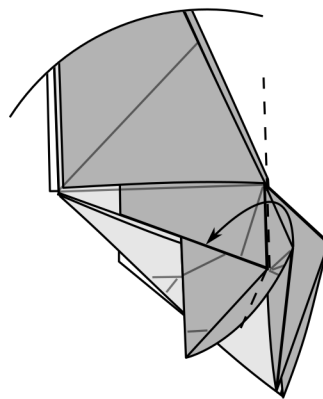
Squash fold using existing creases.

16



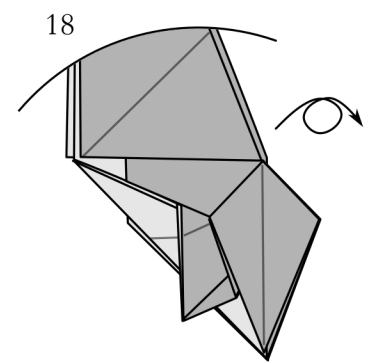
Fold using existing creases. The model will not lie flat.

17

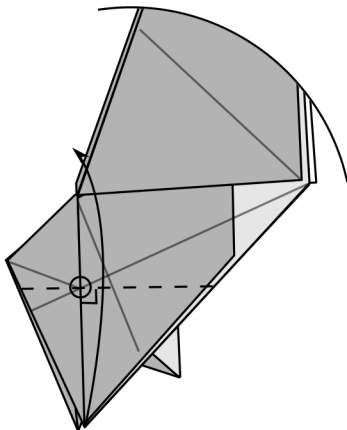


Flatten.

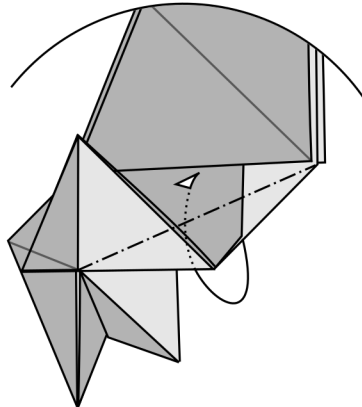
18



19

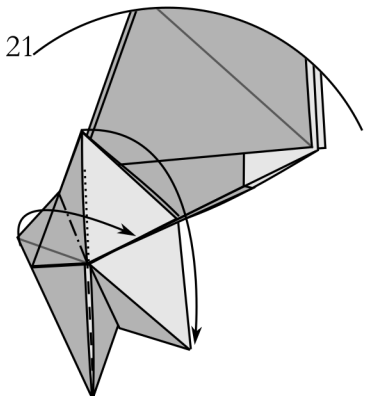


20

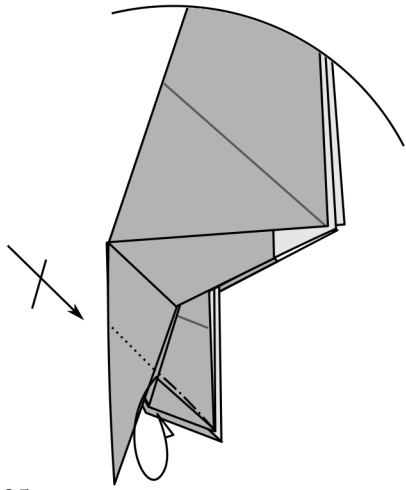


Mountain fold into the pocket made in 16.

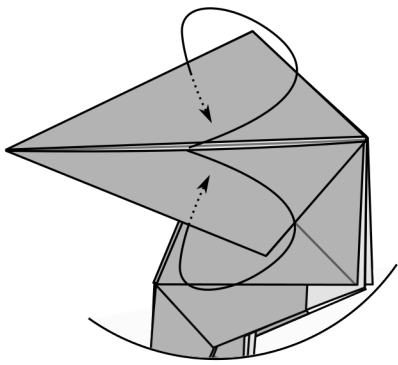
21



Flatten on the left as in step 17.

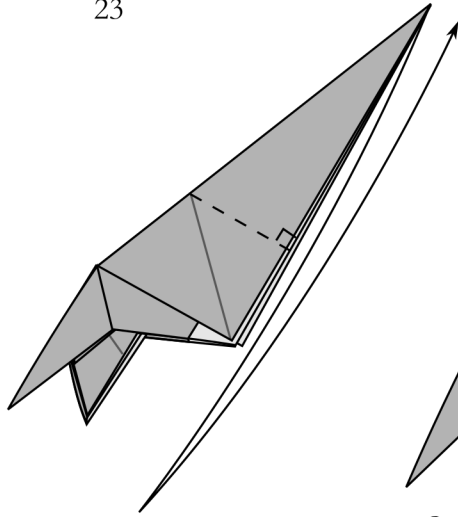


25

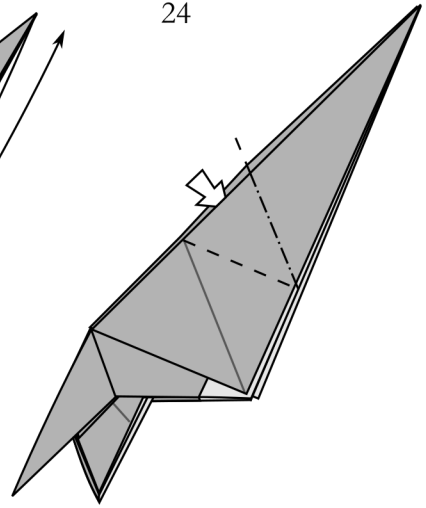


Wrap around. You should open the paper.

23

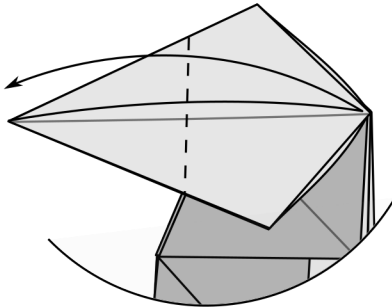


24

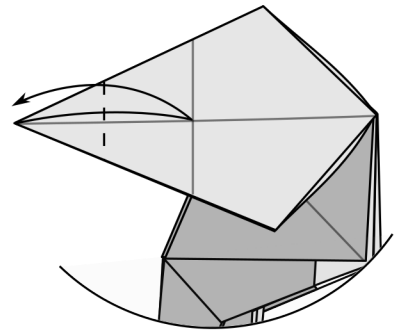


Squash fold symmetrically.

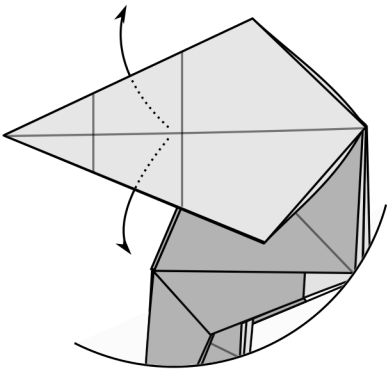
26



27

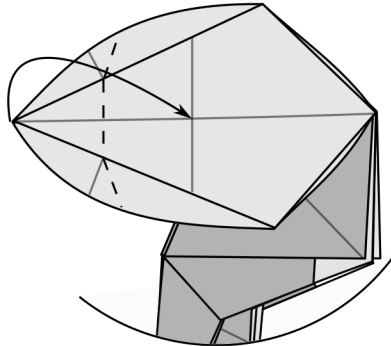


28

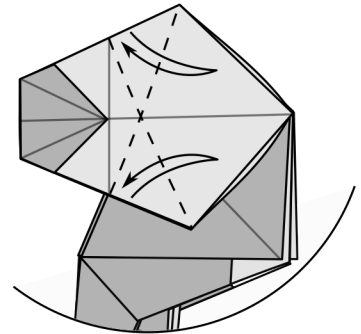


Open out.

29

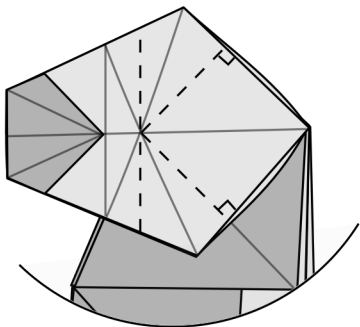


30



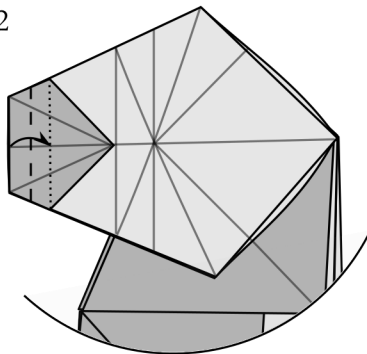
Crease only.

31

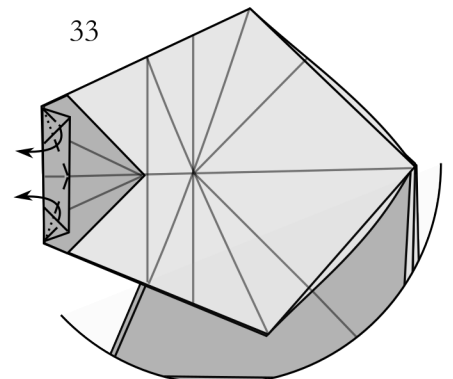


Crease only.

32

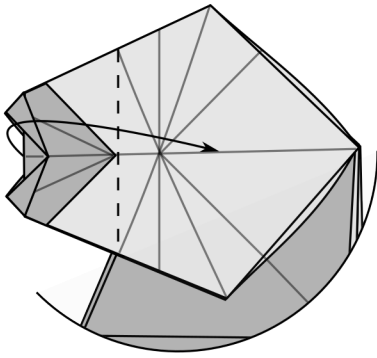


33

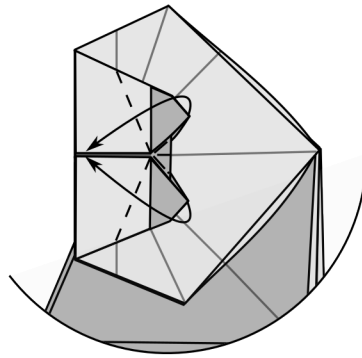


Squash folds.

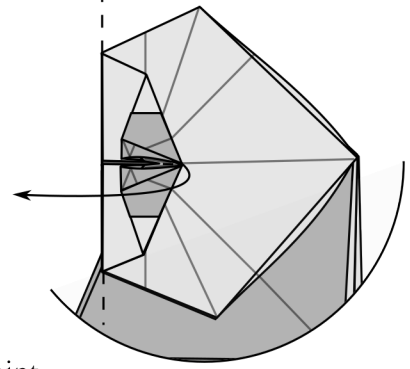
34



35

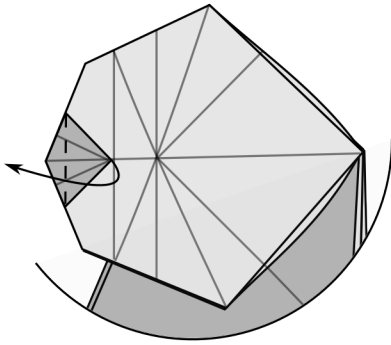


36

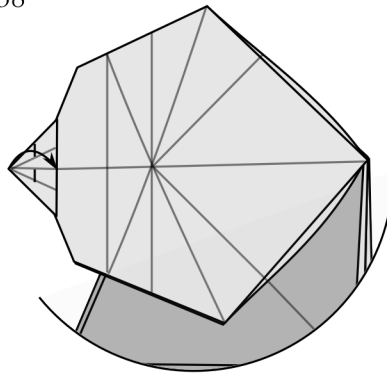


Rabbit ear. Don't flatten the little point.

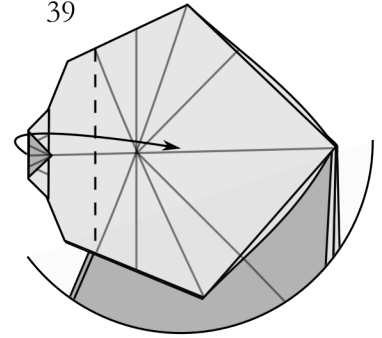
37



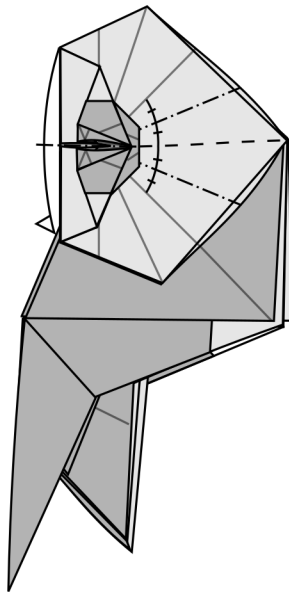
38



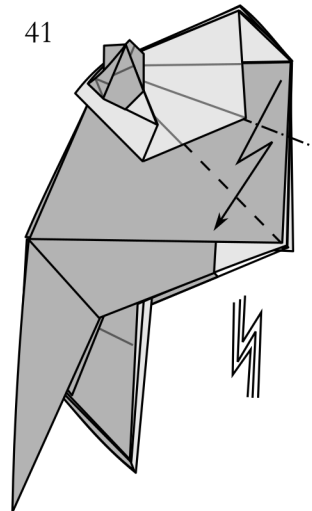
39



40

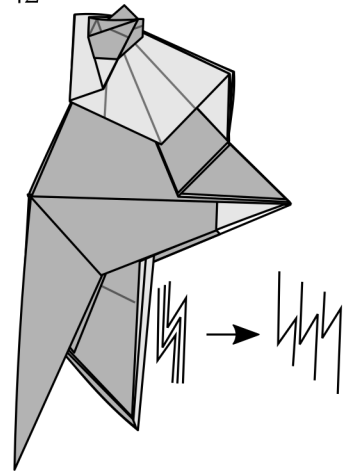


41



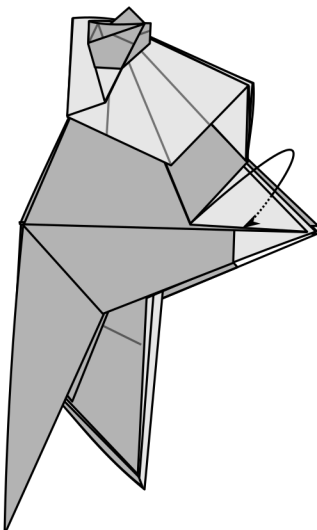
Pleat through all layers.

42



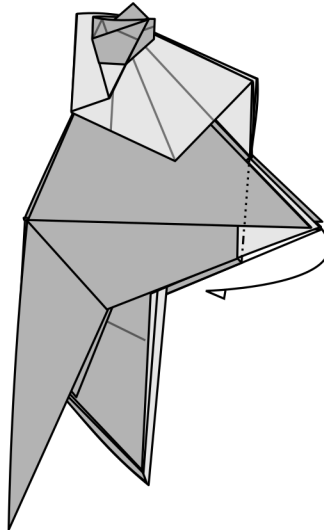
Separate the layers

43



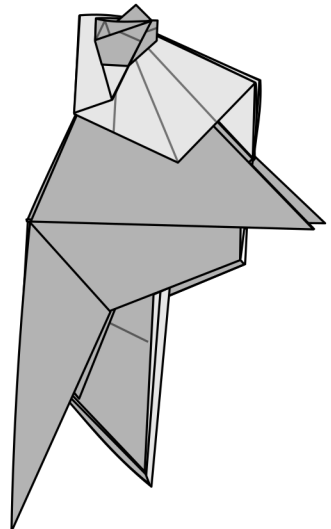
Bring a layer to the front.

44



Fold inside.

45



Open out the model slightly. Check that the belly layers are locked.